

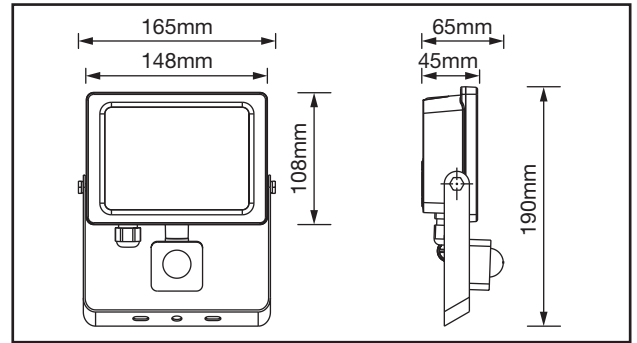
## AFL020/CCT/PIR/\*\*

20W IP65 Slim Design  
CCT Selectable PIR Floodlight



### PRODUCT FEATURES

- IP65 Rating
- CCT Selectable (3000K/4000K/6000K)
- Fully Adjustable PIR
- Manual Override
- Detection Angle: 120 Degrees
- Detection Range: 2-10 Meters
- Hold Time: 10 Sec +/- 5 second to 10 Min +/- 2 Min
- Lux Setting: 3-2000 Lux
- Active Occupancy Monitoring Sensor
- Slimline Diecast Aluminium Body



### TECHNICAL SPECIFICATIONS

| PRODUCT CODE                                   | AFL020/CCT/PIR/**                       |
|--|---|
| Rated Power                                    | 20W                                     |
| Housing Colour                                 | Carbon Black / Polar White              |
| Operating Voltage                              | 220-240V                                |
| Frequency                                      | 50-60Hz                                 |
| CRI  | >80                                     |
| Power Factor                                   | >0.9                                    |
| Beam Angle                                     | 120°                                    |
| Lifetime To LM70                               | <30,000 Hrs                             |
| Operating Temperature                          | -25°C~+40°C                             |
| SDCM   | <6                                      |
| Starting Time                                  | 0.5sec                                  |
| Ingress Protection                             | IP65                                    |
| LED Chip Type                                  | SMD2835                                 |
| Guarantee                                      | 2 Years                                 |
| Detection Angle:                               | 120°                                    |
| Detection Range                                | 2-10m                                   |
| Hold Time:                                     | 10 Sec +/- 5 Second To 10 Min +/- 2 Min |
| Lux Setting:                                   | 3-2000 Lux                              |
| Useful Luminous Flux:<br>3000K / 4000K / 6000K | ≤1570lm / ≤1722lm / ≤1569lm             |
| CCT  | 3000K / 4000K / 6000K                   |
| Switching Cycles                               | ≤15,000                                 |
| Peak Intensity<br>3000K / 4000K / 6000K        | 703cd / 771cd / 701cd                   |
| Class  | I                                       |



**Carbon Black\***  
AFL020/CCT/PIR/BK



**Polar White\***  
AFL020/CCT/PIR/WH



\*Sold Separately